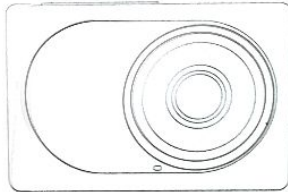
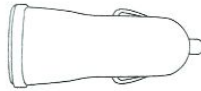


# Xiaomi Yi Car Recorder Instruction

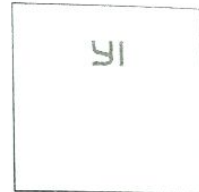
## 1.Package Included



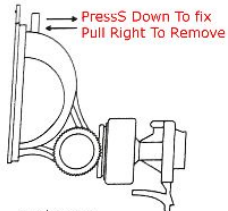
Xiaomi Yi Car DVR X 1



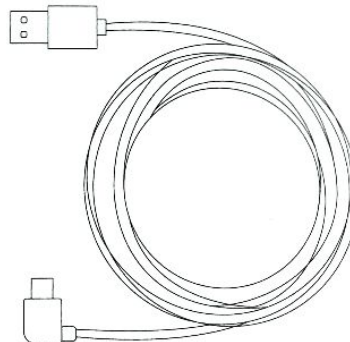
Car Charger X 1  
(Input:12-24V,Output:5V 2.1A)



User Manual X 1

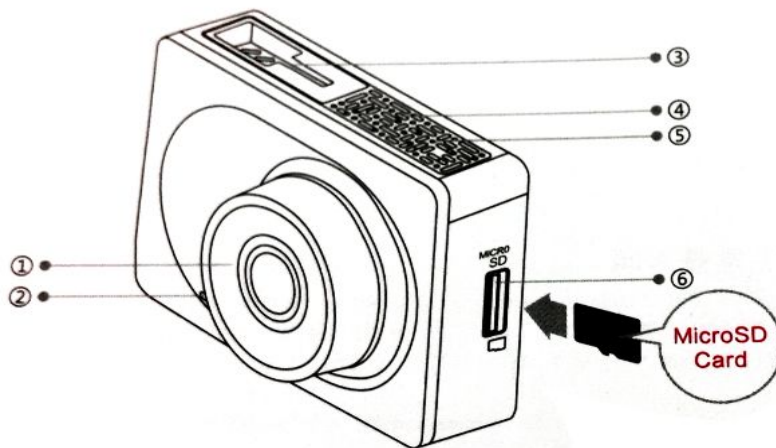


Sucker X 1  
(Not to hurt windshield and insulation paper)



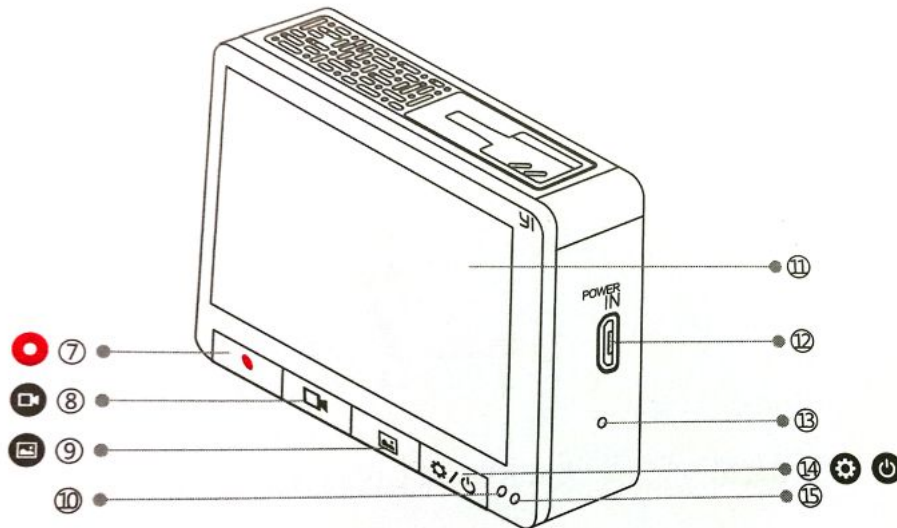
Micro-USB 3.5M Charger Cable X 1

## 2.Equipment Parts



- |                |                      |
|----------------|----------------------|
| ① Lens         | ④ Speaker            |
| ② Microphone   | ⑤ Vents              |
| ③ Bracket Slot | ⑥ Micro SD Card Slot |

Notice:Please use a genuine 8-64G micro SD card (class 10 or more, bounced read speed 80M / S above), otherwise it will cause the camera or the camera can not be interrupted.

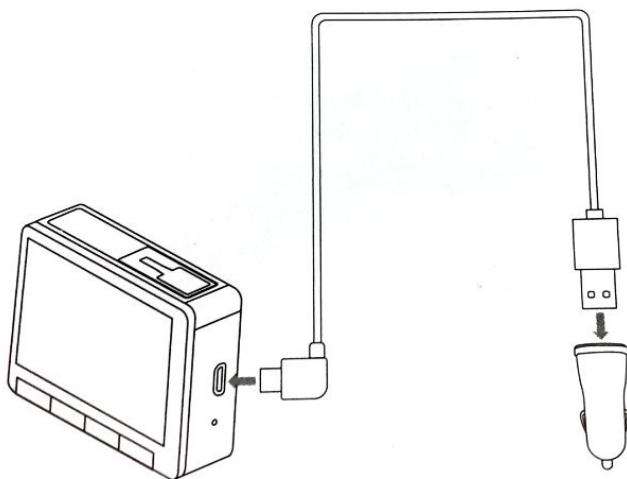


- ⑦ Emergency Record Button 
- ⑧ Record Button 
- ⑨ Playback Button 
- ⑩ Status Indicator
- ⑪ Display

- ⑫ Micro USB
- ⑬ Rset
- ⑭ Setting/Power Button  
- ⑮ Charging Indicator

### 3.Charging

3.5 m standard charging cable, car charger through the box. (Charger Specifications Input: 12-24V Output: 5V 2.1A)



## 4.Xiaomi Yi Car DVR connect with your Phone

### (1)Install Xiaomi Yi Car DVR APP

Scan the following two-dimensional code, download APP, and follow the prompts to install successfully connected.

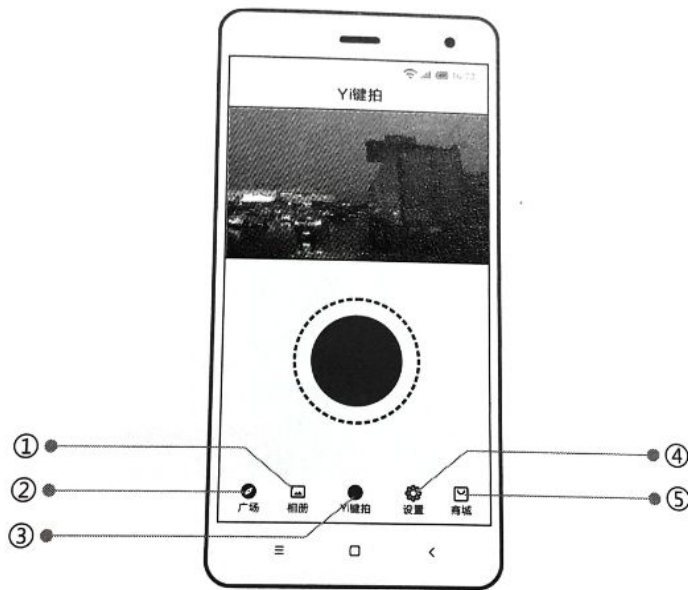
Tips: You can also in the "App Store" to download (phone system requires Android 4.1 and above or ISO 7.0)

### (2)Firmware Upgrade

To enhance the user experience, we will regularly update the recorder firmware. Under APP networking state will automatically monitor the latest firmware version, follow the prompts to guide and easy one-click upgrade.



### (3)APP Features

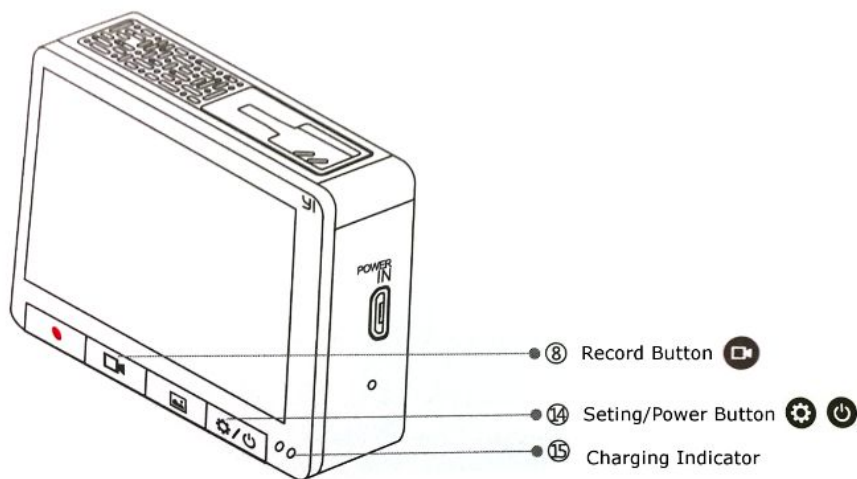


- ① Album - Remote look back or download video, share a key to many social media
- ② Square - The latest and most interesting of the wonderful video
- ③ Yi Key Shot - a key to crawl wonderful short video, recorded side edge Borderland Share
- ④ Settings - Recorder settings remotely modify easily update the firmware
- ⑤ Mall --Xiaomi Yi mall, a key purchase

(4)ADSD\* and Instructions for use

More Features, instructions for use and the recorder installation instructions, find in Xiaomi Yi DVR APP.

5.Basic Instructions



(1)Power On / Off

Power: Press Setup / Power button

Shutdown: Press Setup / Power button (at low battery status indicator will display red)

State of charge the boot: 10 seconds delay after power automatic shutdown

(2) setting

When turned on, press Settings / Power button to enter the setup menu

Image Quality: The default 1920 x 1080 / 30FPS, continuously press the "OK" button, you can switch the 1920 x 1080 / 30FPS, 1920 x 1080 60FPS, 2340 x 1296P 30FPS.

Recording: Press the "OK" button to turn on or off Recording

Collision Detection: Default is intermediate sensitivity, click on the "OK" button, you can switch sensitivity

ADAS: Press the "OK" button to turn on or off ADAS driver assistance functions. In the clear marking and speed 50-90KM / H state, the effect is better.

WIFI: Press the "OK" button to turn on or off WIFI

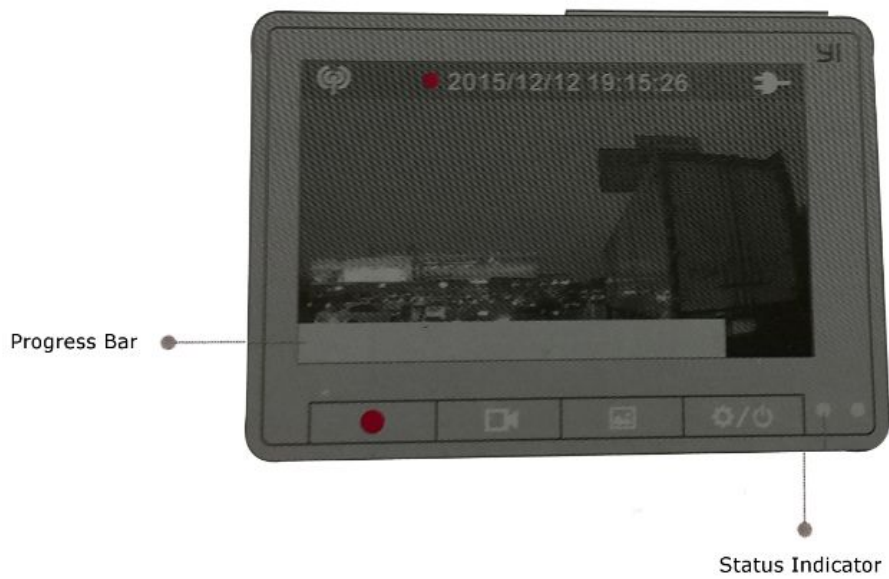
Format card: Press the "OK" button to format the memory card, remove all records.



### (3)Emergency Record

A.The next turned on, press the "economic Camera" button to automatically save the current photograph, colleagues emergency start 10 seconds video of the process would have been top of the screen red dot flashing red precision bottom bar will reduce over time, not less;

B.After the recording is finished, the progress bar hours before the key automatically with up to 10 seconds of loop recording, consisting of up to 20 seconds of emergency recording, then return to the normal state.

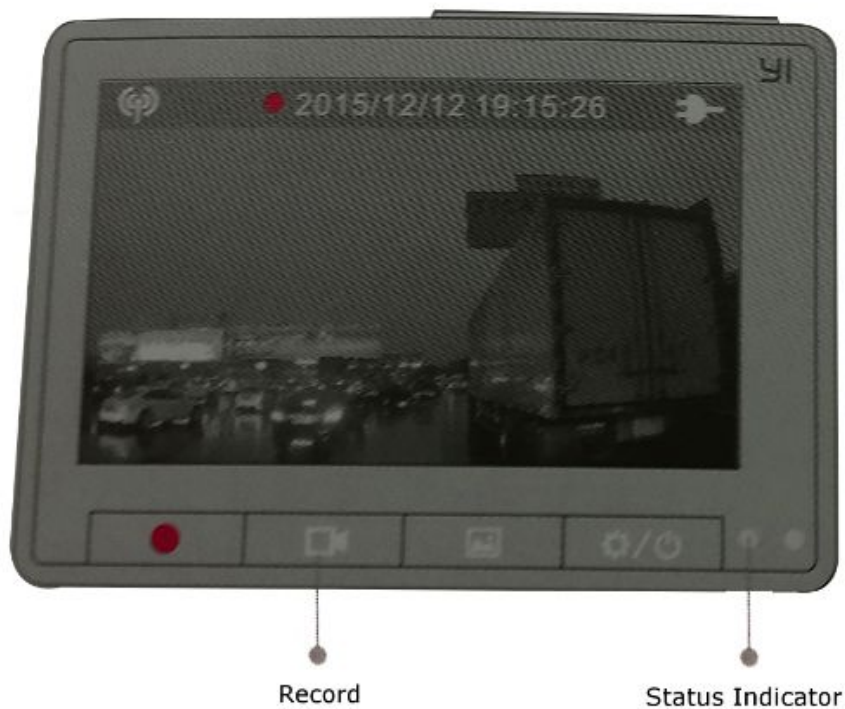


**Note: Please insert the SD card, or video can not record or would be interrupt.**

#### (4)Record

After pressing the power switch button to enter recording mode and start recording. When the indicator is blinking, red dot will always be top of the screen flashes, press the record button will stop recording. When the indicator is on.

(Note: This machine is a loop recording, when the memory card is full, the old file will be overwritten individually select the appropriate recording duration based on the SD card capacity.)



### (5) Playback

Press the playback button, the recorder will automatically enter the list of thumbnails of media, through the "left," right "

Selects the previous or next video. Playing Press "OK" button to pause playback, colleagues and delete pop-up selection box play. Through the "left," right "button oath" Cancel "and" OK "to delete the video.



Playback

### (6) Indicator Description

#### Charging Indicator

1. When charging, the lights lit
2. The charging is completed, the indicator goes off

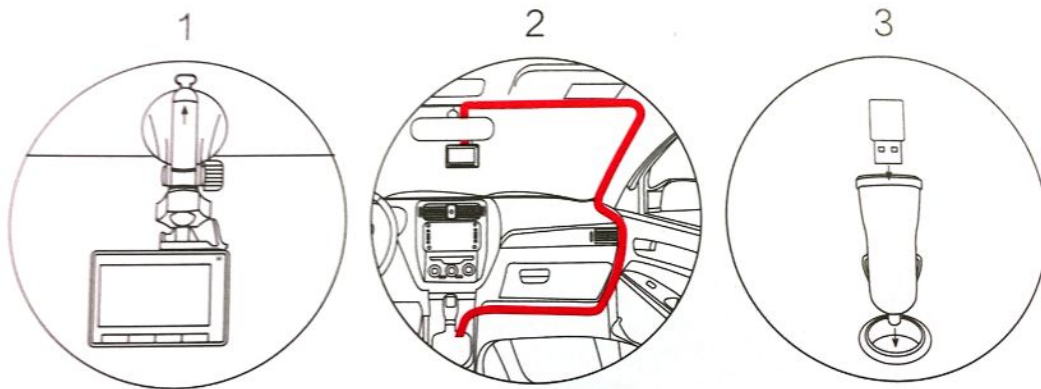
#### Status Indicator

1. camera, flashes once per second
2. upgrade. Flashes twice



Status Indicator

## 6.Installation



- 1.Fixed suction cup bracket, and install fixed Xiaomi Yi DVR
2. The data line along the edge line of the car stuffed gap
3. Insert the cigarette lighter plug, charging cable link

Sucker proper use:

1. Clean the area below the rear-view mirror
2. Remove the protective film sucker
3. pull wrench, sucker adsorbed on the cleaned area
4. The sucker is not close to the glass, pressed, pressed wrench, installation is complete.

Tip: In cold weather, it is recommended to buy 3M adhesive for installation.