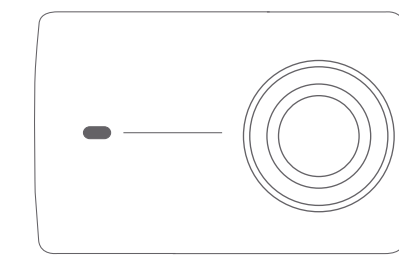




Thank you for choosing YI 4K Action Camera

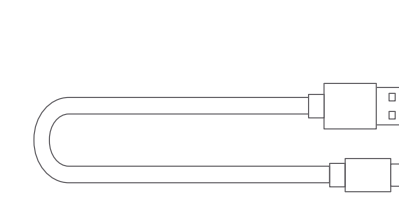
### 1.Camera kit



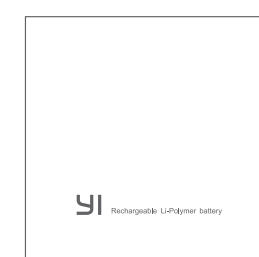
YI 4K Action Camera × 1



Manual × 1

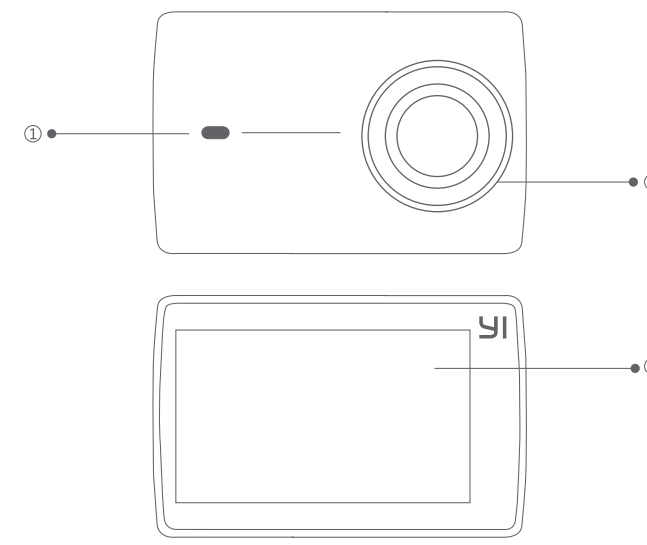


Micro USB cable × 1

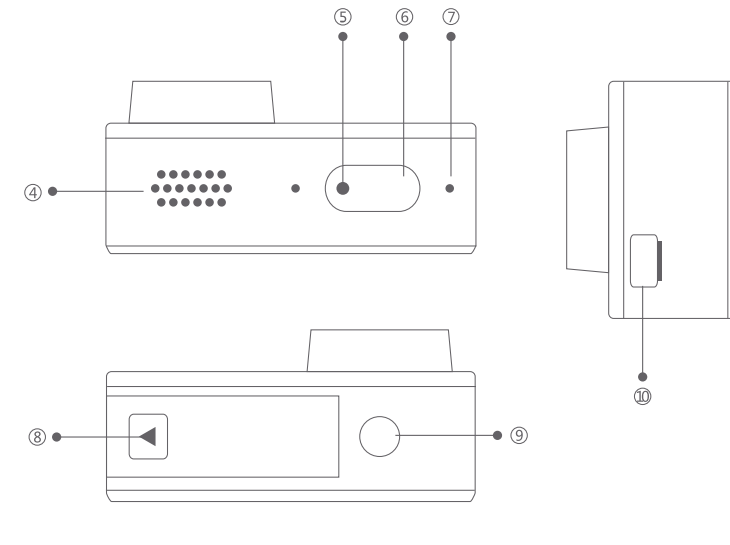


Battery × 1

### 2.Getting to know the camera



- ① Battery charge status light
- ② Lens
- ③ LCD screen



- ④ Speaker
- ⑤ Power status light/Video status light
- ⑥ Power/Shutter button
- ⑦ Microphone
- ⑧ Battery cover
- ⑨ Selfie stick/Tripod socket
- ⑩ Micro USB port

### 3.Insert/Remove Micro SD card (sold separately)

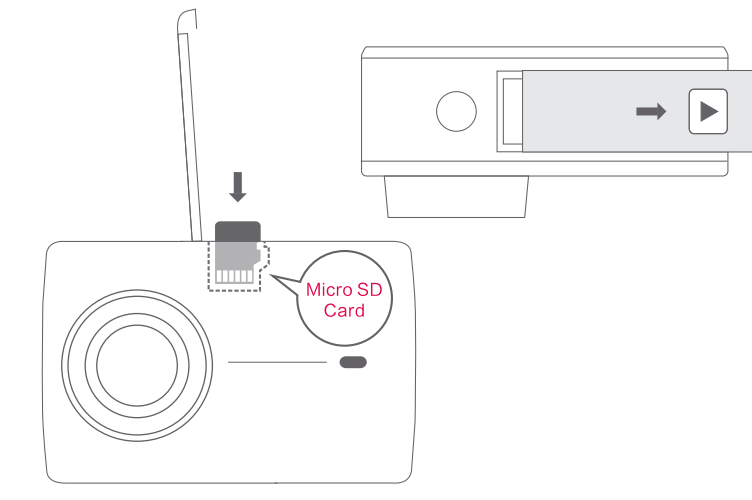
Open the battery cover: Press the arrow key, then pull following the arrow direction.

#### To insert Micro SD card:

Slide card into card slot with the label facing the front of the battery. The card will click into place when fully inserted.

#### To remove Micro SD card:

Press fingernail against edge of card and lightly push further into camera. Card will spring out to be removed.



Tip: We recommend micro SD card at [www.yitechnology.com](http://www.yitechnology.com) to ensure high-quality 4K Video.

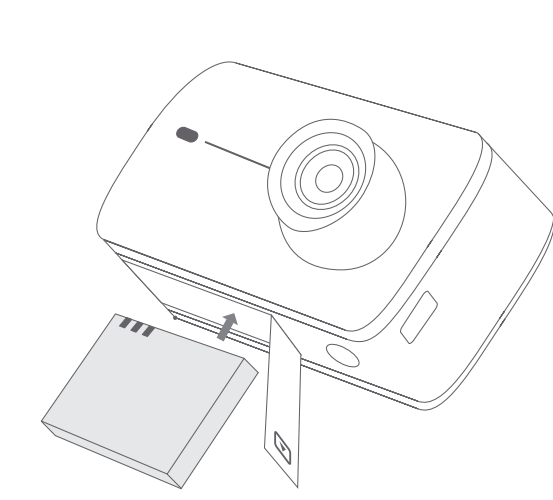
### 4.Insert/Remove battery

#### To insert the battery:

1. Open the battery cover by following step 3 above;  
2. Insert the battery in the battery slot following the arrow direction;  
3. Close the battery cover and confirm the door is closed firmly.

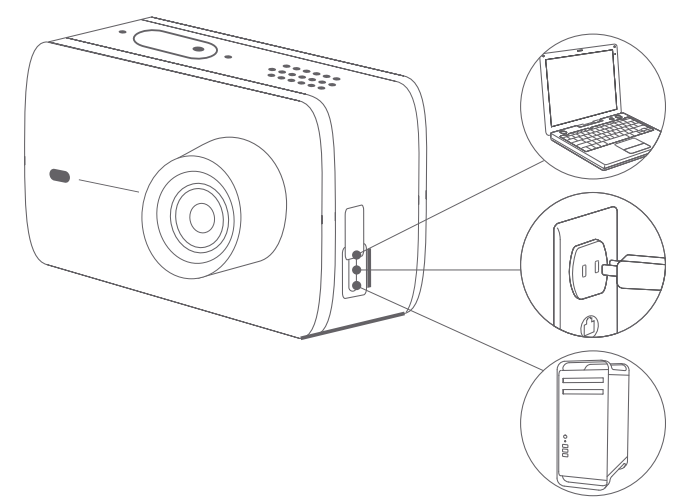
#### To remove the battery:

1. Open the battery cover by following step 3 above;  
2. Grasp the battery pull-tab and remove from the battery slot.

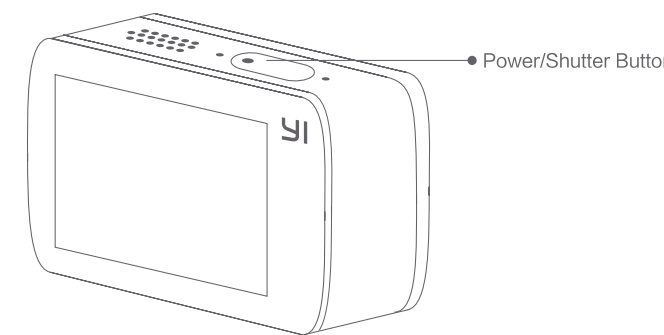


### 5. Battery charging

1. Connect the camera to a power source or computer with the Micro USB cable.
- The camera must be powered off while charging using a computer;
2. The red status light remains ON while the battery is charging;
3. The red status light will turn OFF when the battery is fully charged.



### 6.How to use the camera



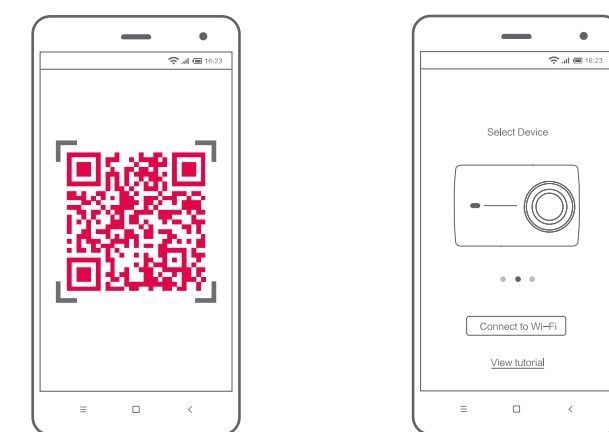
1) Powering on and off:  
To power on: Press the Power/Shutter Button. The screen will turn on and there will be a sound.

To power off: Long press the Power/Shutter Button. The screen will turn black and there will be a sound.

Tip: Follow the quick interface introduction when you power on the camera the first time.

### 2)Connect to YI Action Camera App

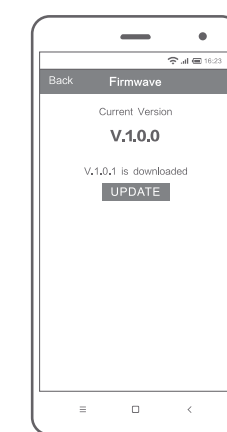
Scan the following QR code to download YI Action Camera App and install the app on your smartphone or tablet.  
Or, you can find the App on the App Store® or Google Play store by searching for YI Action.  
Open the YI Action Camera App. The connection interface as shown in the figure below. View the tutorial, using APP to connect the camera.



Tip: Control settings and mode or transfer files from your camera to your phone.

### 3) Firmware update

The most current camera firmware will be downloaded automatically after you finish your first connection with your smartphone and camera. For the best performance, please use the most updated version.  
Update from the App: Make sure the camera is connected to a power source or has more than 50% battery life.



### 4) Transferring files

1. Connect the camera to the computer using the USB cable to transfer photo and video files to the computer.
2. Copy files to the computer or external hard drive.

**Attention: It is illegal in many jurisdictions to record audio and/or video without the consent of all individuals. You must comply with all laws when using your YI 4K Action Camera.**

### 5) Technical support

Please visit [www.yitechnology.com](http://www.yitechnology.com) or email [support@yitechnology.com](mailto:support@yitechnology.com)

#### IMPORTANT SAFETY GUIDELINES

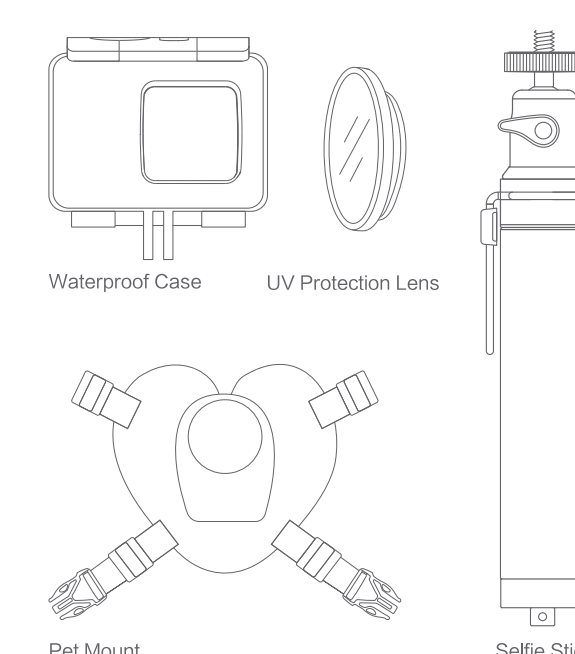
1. READ this user manual carefully.
2. CLEAN ONLY with dry cloth.
3. DO NOT use near any heat sources such as radiators, heat registers, stoves, or other apparatus (including amplifiers) that produce heat.
4. ONLY USE attachments/accessories specified by the manufacturer.
5. To get the best usage out of this product, please consistently update to the latest version of our app and firmware.

\*"Xiaoyi" and "YI" logo are trademarks of Shanghai Xiaoyi Technology Co., Ltd.  
WARNING: No naked flame sources - such as candles - should be placed on the product

Thank you for choosing YI 4K Action Camera.  
Please read this manual carefully and save it for future needs.

<http://www.yitechnology.com>

### 7.Key accessories (sold separately)



Tip: Find out more about accessories at [www.yitechnology.com](http://www.yitechnology.com).

This device complies with Part 15 of the FCC Rules / Industry Canada licence-exempt RSS standard(s). Operation is subject to the following two conditions: (1) this device may not cause harmful interference, and (2) this device must accept any interference received, including interference that may cause undesired operation.

Le présent appareil est conforme aux CNR d'Industrie Canada applicables aux appareils radio exempts de licence. L'exploitation est autorisée aux deux conditions suivantes : (1) l'appareil ne doit pas produire de brouillage, et (2) l'utilisateur de l'appareil doit accepter tout brouillage radioélectrique subi, même si le brouillage est susceptible d'en compromettre le fonctionnement.

Changes or modifications not expressly approved by the party responsible for compliance could void the user's authority to operate the equipment.

This equipment has been tested and found to comply with the limits for a Class B digital device, pursuant to part 15 of the FCC Rules. These limits are designed to provide reasonable protection against harmful interference in a residential installation. This equipment generates uses and can radiate radio frequency energy and, if not installed and used in accordance with the instructions, may cause harmful interference to radio or television reception, which can be determined by turning the equipment off and on. The user is encouraged to try to correct the interference by one or more of the following measures:

- Reorient or relocate the receiving antenna.
- Increase the separation between the equipment and receiver.
- Connect the equipment into an outlet on a circuit different from that to which the receiver is connected.
- Consult the dealer or an experienced radio/TV technician for help.

Under Industry Canada regulations, this radio transmitter may only operate using an antenna of a type and maximum (or lesser) gain approved for the transmitter by Industry Canada. To reduce potential radio interference to other users, the antenna type and its gain should be so chosen that the equivalent isotropically radiated power (e.i.r.p.) is not more than that necessary for successful communication.

Conformément à la réglementation d'Industrie Canada, le présent émetteur radio peut fonctionner avec une antenne d'un type et d'un gain maximal (ou inférieur) approuvé pour le metteur par Industrie Canada. Dans le but de réduire les risques de brouillage radioélectrique à l'égard des autres utilisateurs, il faut choisir le type d'antenne et son gain de sorte que la puissance isotrope rayonnée équivalente (p.i.r.e.) ne dépasse pas l'intensité nécessaire à l'établissement d'une communication satisfaisante.

The device complies with RF specifications when used near your head or body. This device is also designed to meet the requirements for exposure to radio waves established by the Federal Communications Commission (USA). The SAR limit adopted by the USA is 1.6 W/kg averaged over one gram of tissue. The highest SAR value reported to the FCC for this device type complies with this limit. The highest SAR value reported to the FCC for this device type when using at the head is 0.545 W/kg, and when properly worn on the body is 0.536 W/kg.

CAUTION: RISK OF EXPLOSION IF BATTERY IS REPLACED BY AN INCORRECT TYPE. DISPOSE OF USED BATTERIES ACCORDING TO THE INSTRUCTIONS.

Le remplacement incorrect de la batterie est susceptible d'entraîner un risque d'explosion. Veuillez jeter les batteries usagées selon les instructions.



FCC ID: 2AFIB-YAS1616